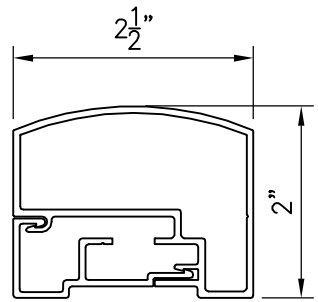
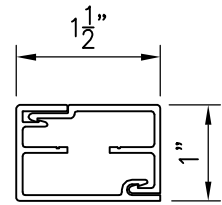


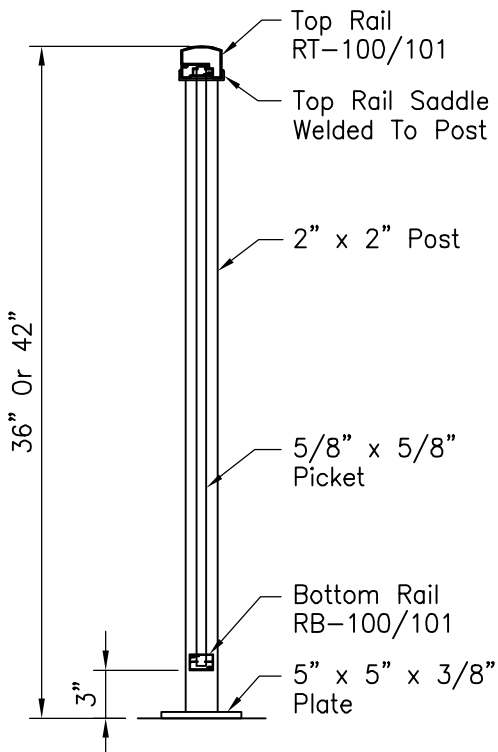
File: A2000dwg\S.T.A.R.\Star System Rail Jan 13 2011.Dwg



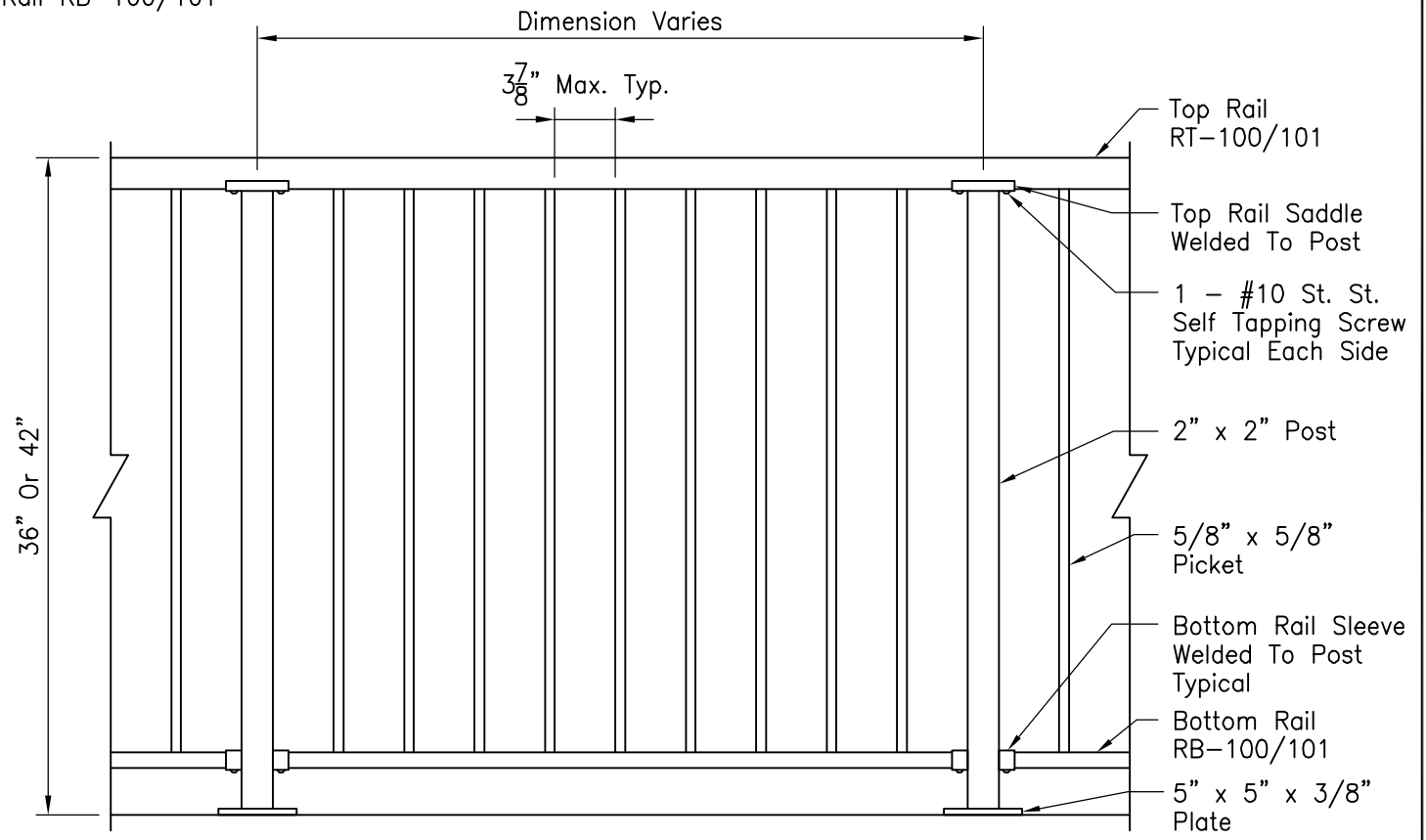
Top Rail RT-100/101



Bottom Rail RB-100/101



Picket Sections

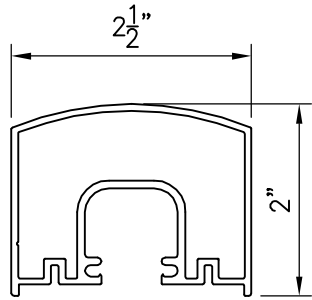


Picket Elevations

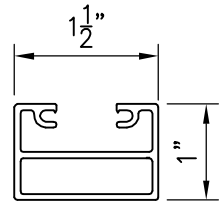
Title:	CLASSIC STYLE
	36" OR 42" High Picket

Drawing No.	SS101	Scale:	1"=1'-0"
Drawn By:	KK	Date:	January 13, 2011
Checked By:		Revision:	

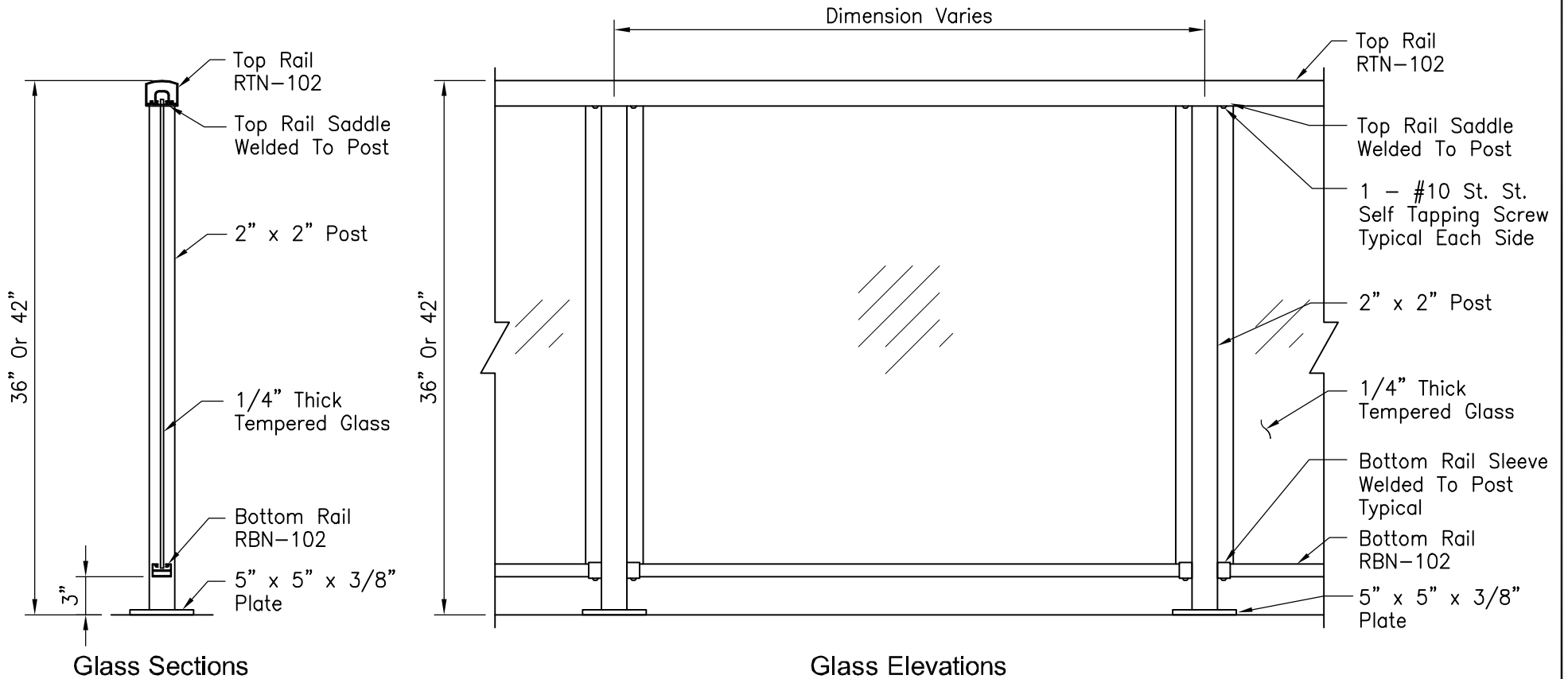
**S.T.A.R. SYSTEM INTERNATIONAL LTD.**  
ALUMINUM RAILING & FENCING




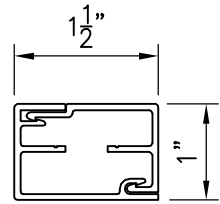
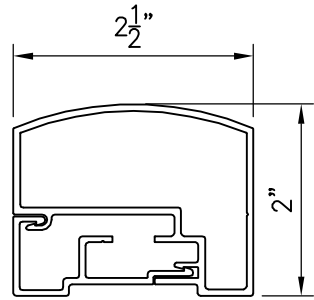
Top Rail RTN-102



Bottom Rail RBN-102

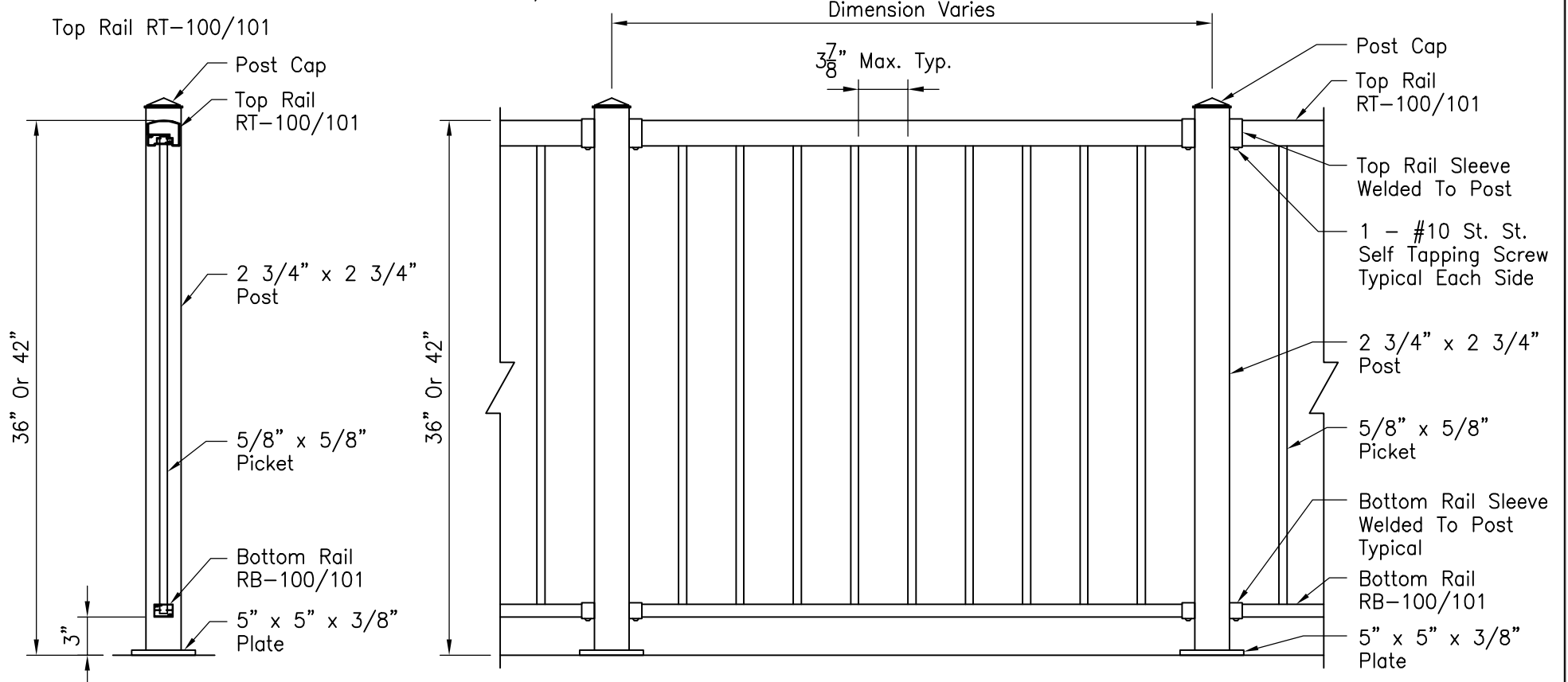


Title: <b>CLASSIC STYLE</b>	Drawing No. SS102	Scale: 1"=1'-0"	<b>S.T.A.R. SYSTEM INTERNATIONAL LTD.</b> ALUMINUM RAILING & FENCING 
	Drawn By: KK	Date: January 13, 2011	
36" OR 42" High Glass	Checked By:	Revision:	




Bottom Rail RB-100/101

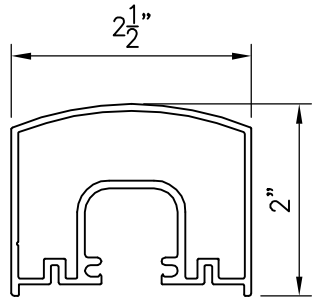
Top Rail RT-100/101



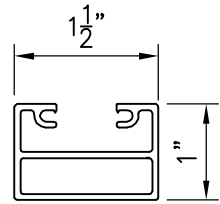
Picket Sections

Picket Elevations

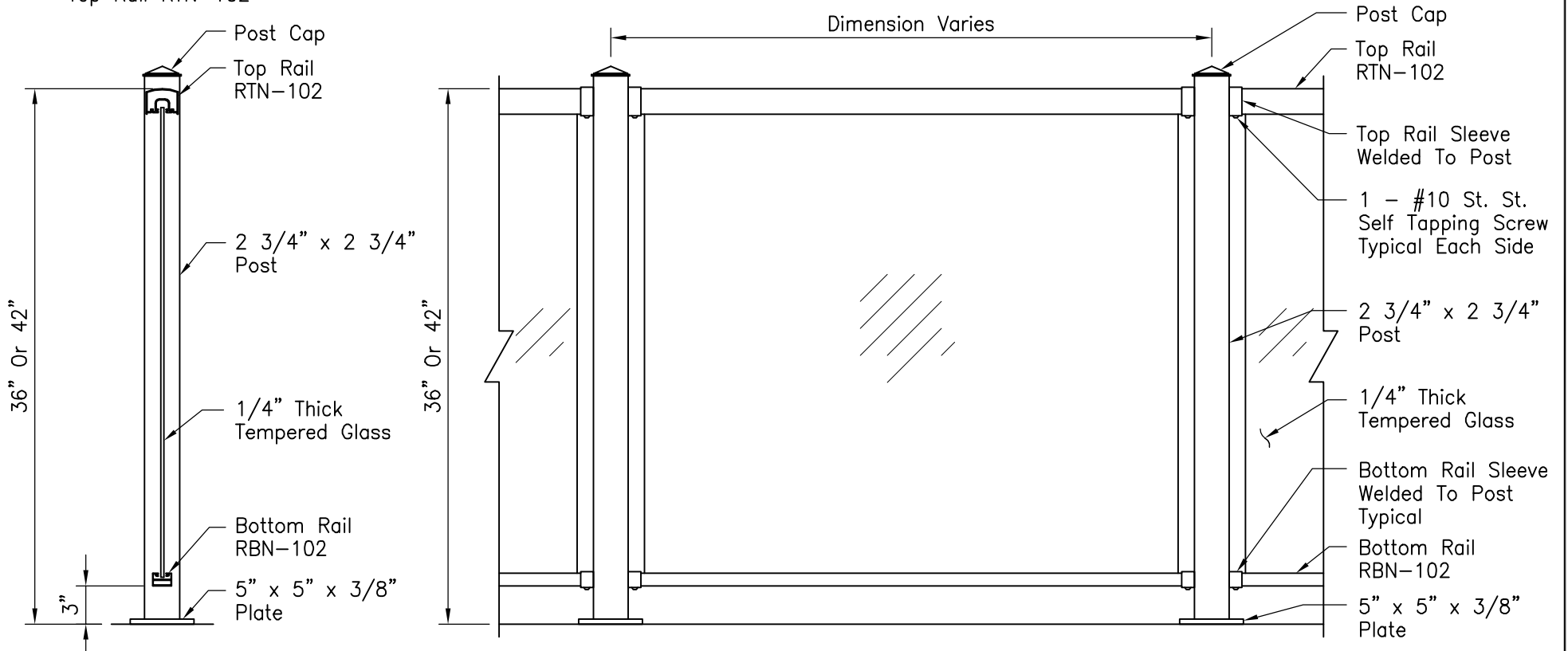
Title: <b>COLONIAL STYLE</b>	Drawing No. SS103	Scale: 1"=1'-0"	<b>S.T.A.R. SYSTEM INTERNATIONAL LTD.</b> ALUMINUM RAILING & FENCING 
	Drawn By: KK	Date: January 13, 2011	
36" OR 42" High Picket	Checked By:	Revision:	



Top Rail RTN-102




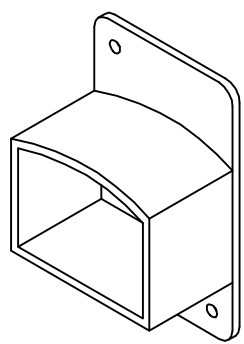
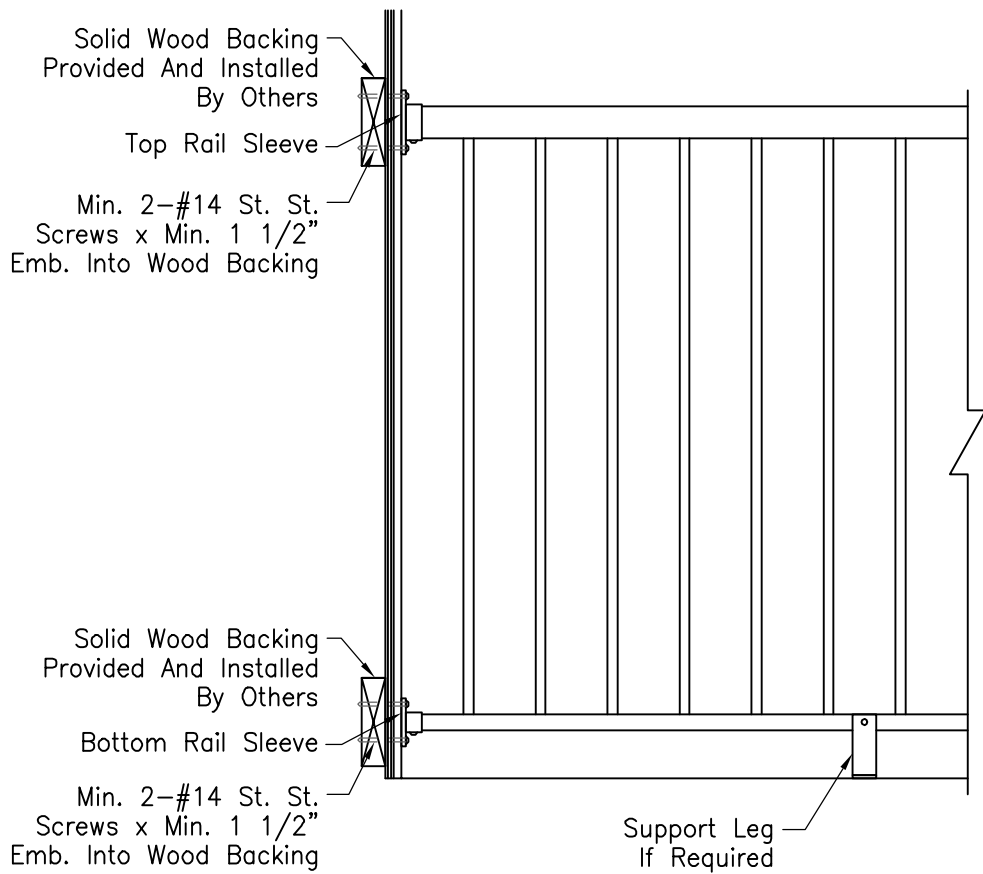
Bottom Rail RBN-102



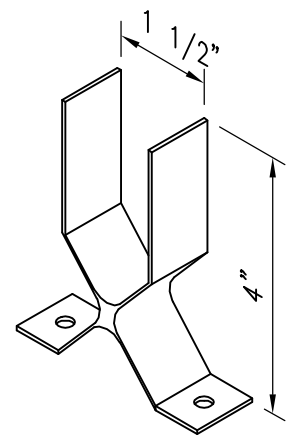
Glass Sections

Glass Elevations

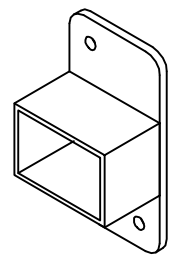
Title: <b>COLONIAL STYLE</b>	Drawing No. SS104	Scale: 1"=1'-0"	<b>S.T.A.R. SYSTEM INTERNATIONAL LTD.</b> ALUMINUM RAILING & FENCING 
	Drawn By: KK	Date: January 13, 2011	
36" OR 42" High Glass	Checked By:	Revision:	



Top Rail Sleeve TS-212



Support Leg BL-112



Bottom Rail Sleeve BS-112

Title: WALL ATTACHMENT DETAILS

Drawing No. SS105

Scale: 1"=1'-0"

Drawn By: KK

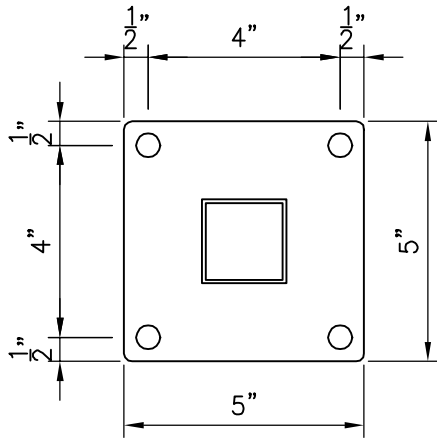
Date: January 13, 2011

Checked By:

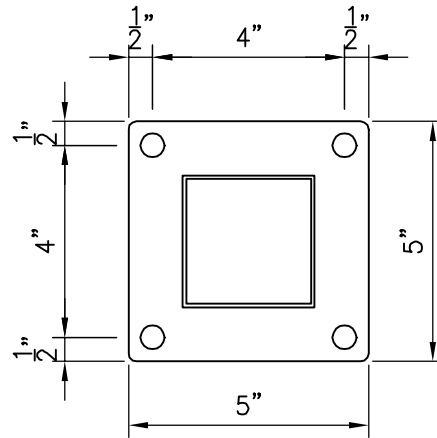
Revision:

**S.T.A.R. SYSTEM INTERNATIONAL LTD.**  
ALUMINUM RAILING & FENCING

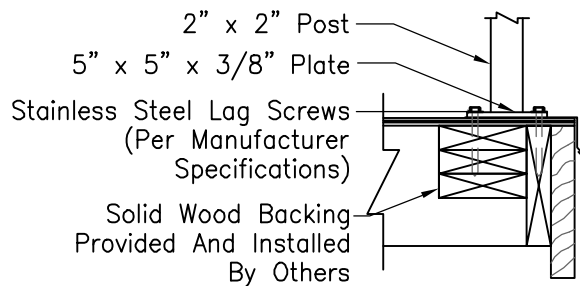
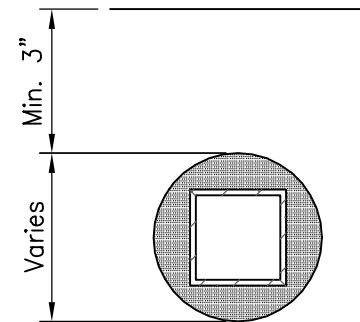




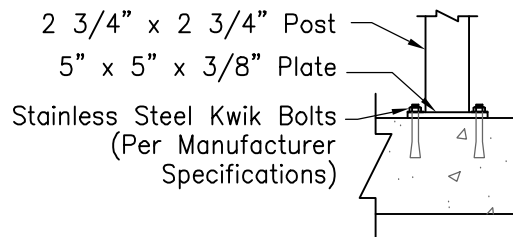
Standard 5"x5"x3/8" Plate



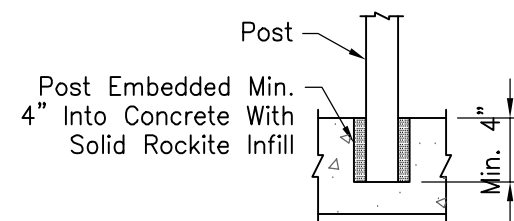
Standard 5x5x3/8" Plate




Mounting Plate Attached To Wood Detail



Mounting Plate Attached To Concrete Detail



Core Detail

Title: <b>MOUNTING PLATE DETAIL</b>	Drawing No. SS106	Scale: 3"=1'-0"	<b>S.T.A.R. SYSTEM INTERNATIONAL LTD.</b> ALUMINUM RAILING & FENCING 
	Drawn By: KK	Date: January 13, 2011	
	Checked By:	Revision:	